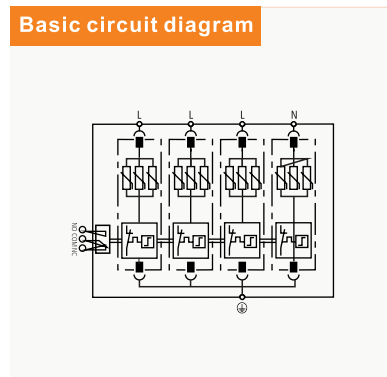
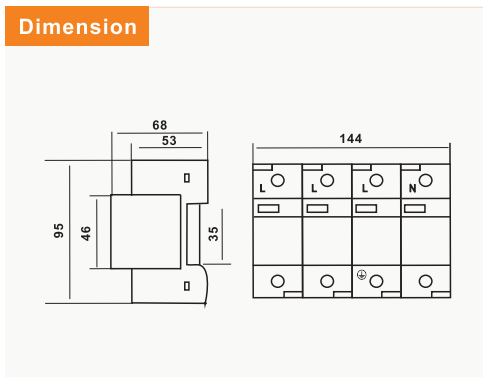


## TRS9 Series SPD

SPD type 2–surge arrester, MOV  
Pluggable module, visual fault signalling

- Varistor surge arrester
- Installation to sub–distribution boards (I<sub>max</sub>:80kA) or main distribution boards (I<sub>max</sub>:100kA/120kA/150kA)
- For protection of installations and equipments against impact of induced overvoltage during a lightning strike or switching overvoltages.
- Optional remote fault signalling(s)



| Parameter/Type  |                  | TRS9–B80   | TRS9–B100 | TRS9–B120 | TRS9–B150 |
|---|------------------|--|-----------|-----------|-----------|
| Nominal voltage   | U <sub>n</sub>   | 380V AC  |           |           |           |
| Maximum operating voltage                               | U <sub>c</sub>   | 385V AC  |           |           |           |
| Nominal discharge current (8/20μs)                      | I <sub>n</sub>   | 40kA   | 60kA      | 80kA      | 100kA     |
| Maximum discharge current (8/20μs)                      | I <sub>max</sub> | 80kA   | 100kA     | 120kA     | 150kA     |
| Voltage protection level                                | U <sub>p</sub>   | ≤2,4kV   | ≤2,5kV    | ≤3,0kV    | ≤3,5kV    |
| Response time   | t <sub>a</sub>   | < 25ns   |           |           |           |
| Cross–section of connected conductors solid(min/max)    |                  | 16mm <sup>2</sup> /35mm <sup>2</sup>                                   |           |           |           |
| Cross–section of connected conductors stranded(min/max) |                  | 16mm <sup>2</sup> /35mm <sup>2</sup>                                   |           |           |           |
| Fault indication  |                  | red indication field   |           |           |           |
| Remote indication                                       |                  | potential–free change–over contact                                     |           |           |           |
| remote indication contacts                              |                  | 250V/0,5A AC, 250V/0,1A DC   |           |           |           |
| Cross–section of remote indication conductors           |                  | 1,5mm <sup>2</sup>   |           |           |           |
| Degree of protection                                    |                  | IP20   |           |           |           |
| Range of operating temperatures (min/ max)              |                  | –40°C~ +70°C   |           |           |           |
| Humidity range  |                  | 5%~95%   |           |           |           |
| Mounting  |                  | DIN rail 35 mm   |           |           |           |
| According to standard                                   |                  | EN 61643–11:2012, IEC 61643–11:2011/T2                                 |           |           |           |
| Remarks   |                  | Other U <sub>c</sub> can be customized. (420VAC, 385VAC, 320VAC, etc.) |           |           |           |