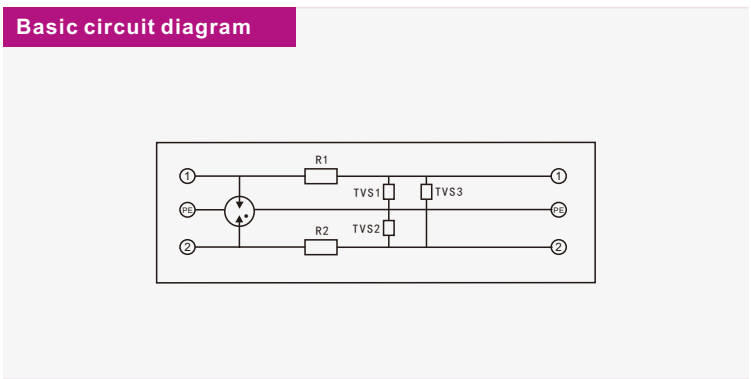


## TRSS-485 Series SPD

RS485 surge protector. The surge protector is connected in series in front of the protected equipment, and is mainly suitable for communication lines, remote signaling, measurement and control systems, access control intercom systems, automatic control systems, security systems, etc, which can effectively absorb the energy generated by surges Impact, and introduce energy into the earth through the grounding cable.

- Protect a pair of signal lines from lightning surge
- DIN rail installation saves a lot of space
- A variety of protection voltages are available, such as 5V 12V 24V 100V.
- The maximum discharge current is 10kA.



Parameter/Type					
Material/ width	Aluminum, PA66/ 7mm, 14mm, 18mm .				
Nominal volatge	$U_n$	5V	12V	24V	100
Maximum operating voltage	$U_c$	8V	15V	30V	110
Frequency	30 MHz				
Insertion loss	$\leq 0,5dB$				
Standing wave	1,2				
Nominal discharge current (8/ 20 $\mu s$ )	$I_n$	5 kA			
Maximum discharge current (8/ 20 $\mu s$ )	$I_{max}$	10 kA			
Voltage protection level	$U_p$	< 20V	< 40V	< 60V	< 150V
Mounting	DIN rail 35mm				
Degree of protection	IP20				
Range of operating temperatures (min/ max)	-40°C~+70°C				
Humidity range	5%~95%				
According to standard	EN 61643-21:2012, IEC 61643-21:2011				