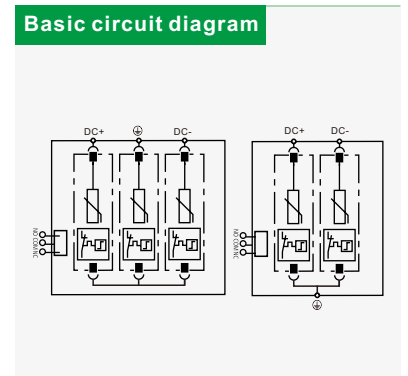
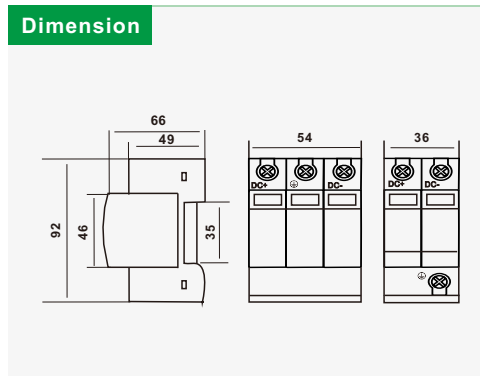


TRS3 Series SPD

SPD PV type 2—surge arrester for PV installation
Pluggable module, visual fault signalling

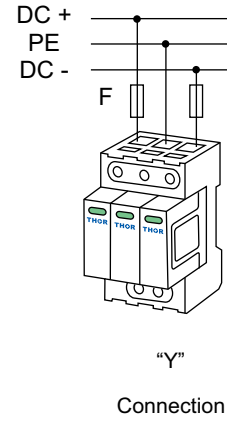
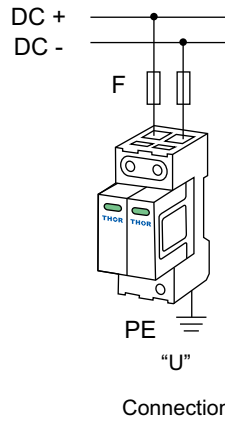
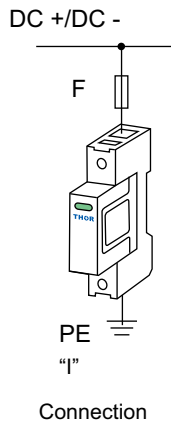
- Varistor surge arrester
- Installation to PV system
- For protection of PV systems where the separating spark-over distance is kept or without LPS
- Optional remote fault signalling(s)



Parameter/Type		TRS3-C40				
PV connection type		U			Y	
Nominal PV Voltage	U_{ocstc}	500V DC	600V DC	800V DC	1000V DC	1250V DC
Max. PV Operating Voltage	U_{cpv}	600V DC	720V DC	960V DC	1200V DC	1500V DC
Nominal discharge current (8/20 μ s)	I_n	20kA				
Maximum discharge current (8/20 μ s)	I_{max}	40kA				
Voltage protection level mode +/PE, -/PE	U_p	$\leq 2,0kV$	$\leq 2,3kV$	$\leq 3,0kV$	$\leq 4,5kV$	$\leq 5,0kV$
Short-circuit current rating	I_{scpv}	100A				
Response time	t_a	< 25ns				
Cross-section of connected conductors solid(min/max)		16mm ² /35mm ²				
Cross-section of connected conductors stranded(min/max)		16mm ² /35mm ²				
Fault indication		red indication field				
Remote indication		potential-free change-over contact				
Remote indication contacts		250V/0,5A AC, 250V/0,1A DC				
Cross-section of remote indication conductors		1,5mm ²				
Degree of protection		IP20				
Range of operating temperatures (min/ max)		-40°C~ +70°C				
Humidity range		5%~95%				
Mounting		DIN rail 35 mm				
According to standard		EN 61643-31:2012, IEC 61643-31:2011/T2				
Remarks		Other U_{cpv} can be customized.				

DC SPD Wiring diagram

Photovoltaic system



Connection of DC SPD in networks

